

CAMP COT BUG FRAME & NET

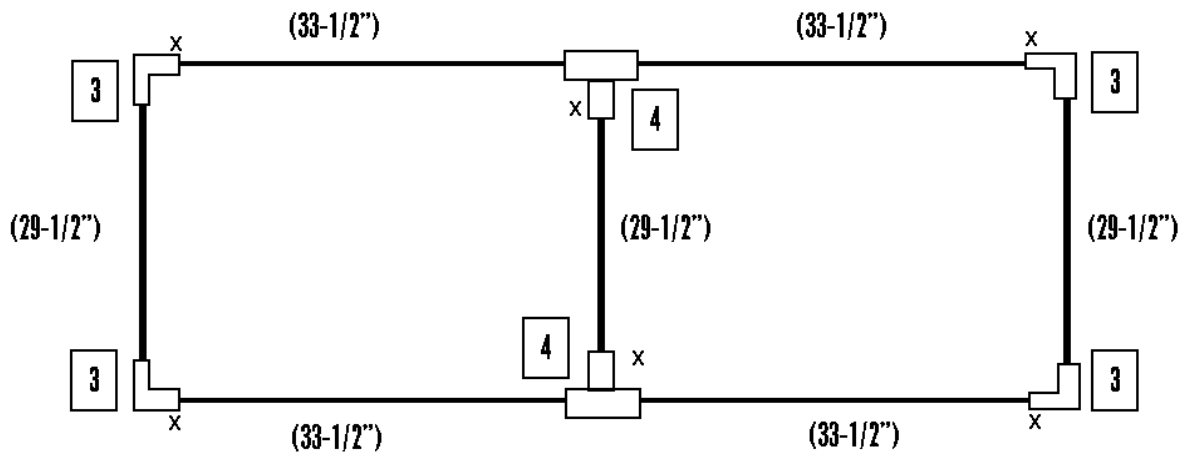
<u>ITEM</u>	<u>QTY.</u>	<u>COST</u>	<u>DESCRIPTION</u>
1	5	1.30/10-FOOT LENGTH	10-FOOT LENGTHS, 1/2-INCH DIAMETER SCHEDULE 40 PVC PIPE (HOME DEPOT, SCOTTY'S, PVC SUPPLY HOUSE) 10 LENGTHS CUT TO 33-1/2 INCHES 3 LENGTHS CUT TO 29-1/2 INCHES
2	2	.16 EACH	3-WAY SCHEDULE 40 PVC PLUMBING TEE-FITTING (HOME DEPOT, SCOTTY'S, PVC SUPPLY HOUSE)
3	8	.70 EACH	3-WAY PVC PVC FURNITURE FITTINGS (PVC SUPPLY HOUSE)
4	2	.75 EACH	4-WAY PVC PVC FURNITURE FITTINGS (PVC SUPPLY HOUSE)
5	1	APPROX. 11.00 TO 20.00	ARMY ISSUE BUG BARRIER NETTING (ARMY NAVY SURPLUS STORE - UNKNOWN)

APPROXIMATE DIMENSIONS OF ASSEMBLED FRAME:

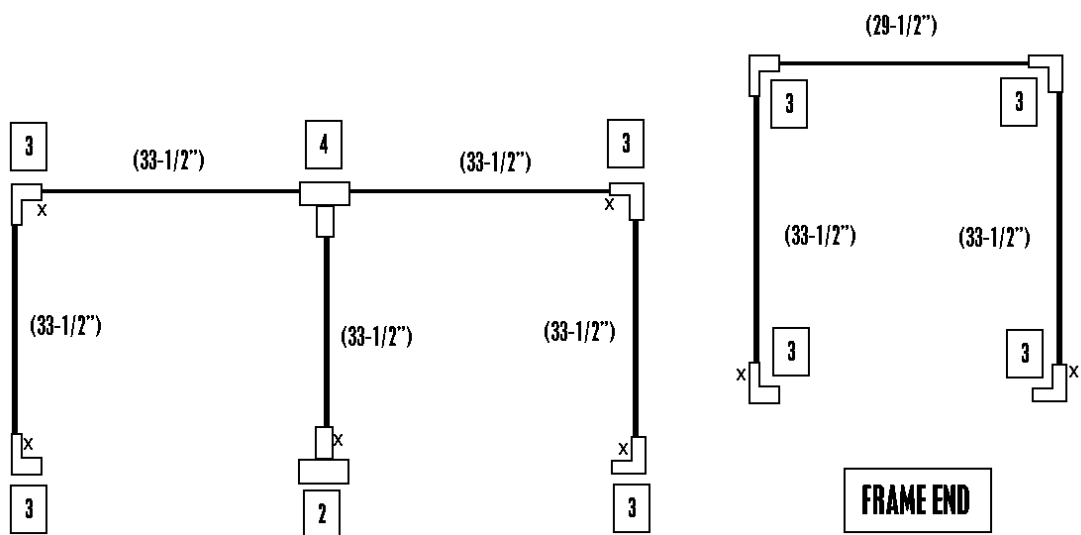
WIDTH - 32 INCHES
HEIGHT - 35.5 INCHES
LENGTH - 71 INCHES

1. CUT PVC PIPES INTO SPECIFIED LENGTHS AND ASSEMBLE AS INDICATED ON SHEET 2.
2. RECOMMEND USING ONE-PART PVC ADHESIVE TO BOND FITTINGS TO LONG PIPE SECTIONS TO PREVENT LOSS. FRAME MUST RETAIN CAPABILITY TO BE ASSEMBLED AND DISASSEMBLED AT CAMPSITE.
3. ARMY ISSUE BUG BARRIER MATERIAL WORKS BEST TO PREVENT NO-SEEUMS FROM PENETRATING NET.

BOND FITTINGS AT ALL LOCATIONS INDICATED BY AN "X" ON SHEET 2.



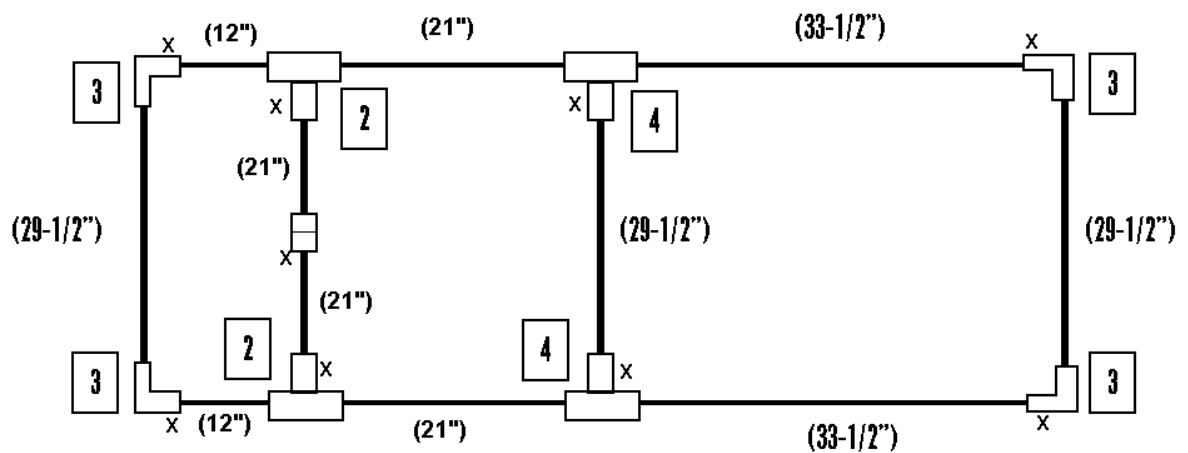
FRAME TOP



FRAME SIDE

FRAME END

FOR MODIFIED FRAME TOP YOU WILL NEED TWO EXTRA 3-WAY TEE-FITTINGS (ITEM 2) AND ONE 2-WAY PVC 45 DEGREE ANGLE FITTING. THIS MODIFICATION ALLOWS FOR MORE HEAD ROOM.



MODIFIED FRAME TOP